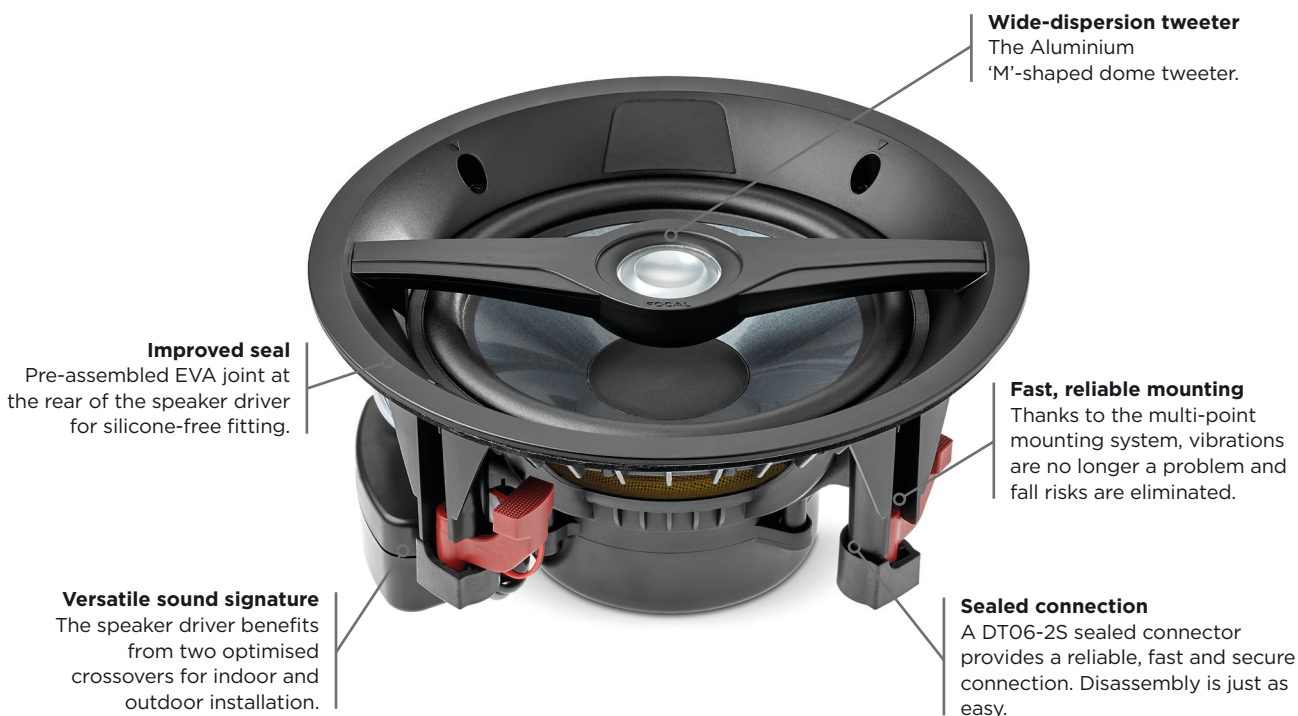


LITTORA 200 ICW6

Product sheet

Compact and high-performance, this 2-way speaker driver is perfect for covering any space exposed to environmental constraints. Its design, originally intended for a marine application, lends it a faultless longevity and robustness while meeting Focal's internationally renowned standards. In yachting, humid spaces or outdoors, Littora 200 ICW6 is the leading choice for discreet integration and wide sound coverage.



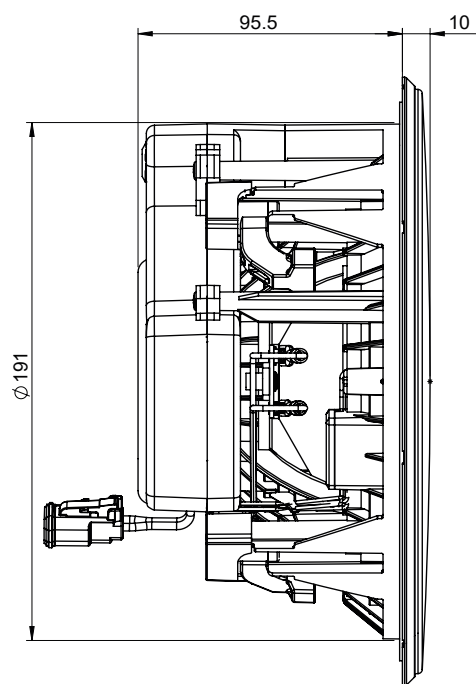
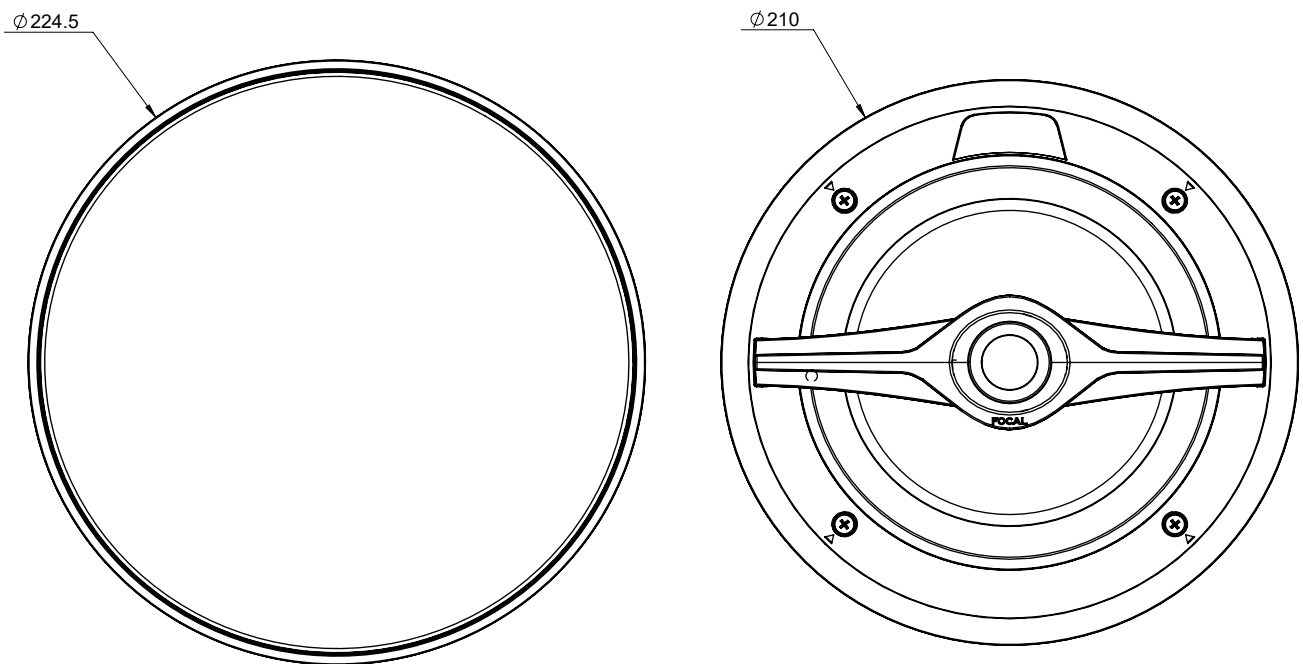
Technical specifications

Type of speaker	LITTORA 200 ICW6
Diameter	6.5"
Recommended amp power	25 - 130W
Nominal impedance	8Ω
Minimal impedance	4.2Ω at 150Hz
Sensitivity (2.83V/1m)	89dB
Frequency response	65Hz - 28kHz
High-pass, slope	80Hz, 24dB/Oct - 80Hz, 24dB/Oct
Closed box volume 1, F -3dB	8L, 77Hz
Closed box volume 2, F -3dB	6L, 80Hz
Free air, F -3dB	74Hz
Tweeter	'M'-shaped aluminium dome
IP certification	IP65 (ASTMB117)
Crossover setting	Indoor/Outdoor switch
Grille	Ready-to-paint aluminium
UV resistance	Yes (ASTMG53)
Operating temperatures	-25°C to 90°C
Number of mounting points	4
Connector	DT06-2S sealed
Mounting depth	3 ³ / ₄ " (95.5mm)
Certifications	ROHS, ROHS 2, CHINA ROHS, REACH
Weight	2.6kg

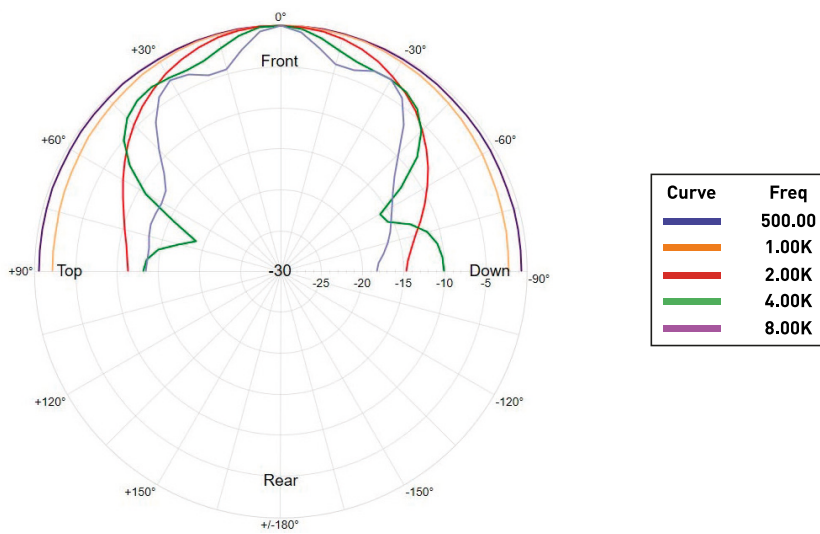
Key points

- Excellent power handling
- Developed in France
- Certified IP65 waterproofing
- Ready-to-paint white aluminium grille for limitless customisation
- Shallow mounting depth and narrow diameter

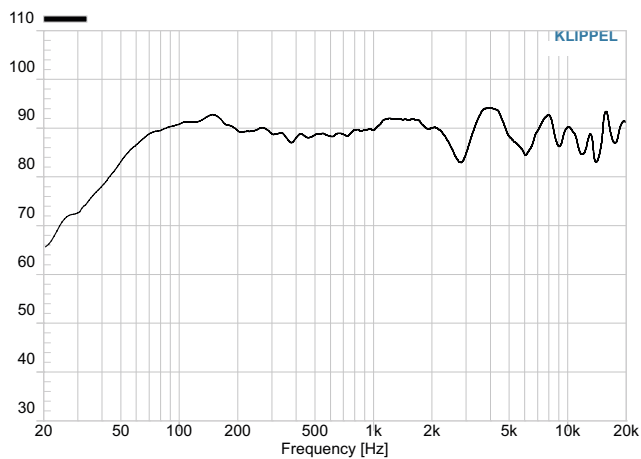
Size (mm)



Measurements Directivity



Frequency Response



Littora 200 ICW6 Speaker level Calculation Table

Littora 200 ICW6	Nominal sensitivity		
	1m	2m	5m
Power/Distance			
1W (2.83V)	89dB	83dB	75dB
20W (12.6V)	102dB	96dB	88dB
50W (20V)	106dB	100dB	92dB
100W (28.3V)	109dB	103dB	95dB

Summary	125Hz	250Hz	500Hz	1kHz	2kHz	4kHz	8kHz
NPA (2.83V/1m)(dB)	90	89	89	90	87	88	89
Aperture angle at -6dB	180°	180°	180°	180°	120°	60°	100°