

SHAPE 40

Product Sheet

MADE IN
FRANCE

Shape 40 is the most compact studio monitor in the Focal Professional line, and the perfect solution for nearfield monitoring. These monitors can be used from 23" away (60cm), and they have astonishingly extended low end frequency response. Whether you have a room of less than 107ft² (10m²), or an installation where compactness is paramount, Shape 40 is the perfect solution.



Key points

- Designed without a port allowing it to be placed near a wall
- Numerous settings for optimal integration
- Accurate control, even in the very high end
- Flax sandwich cone: controlled and articulated bass, natural and detailed lower mid-range and upper mid-range registers
- Threads for ceiling and wall mounts (fastening accessories not supplied)

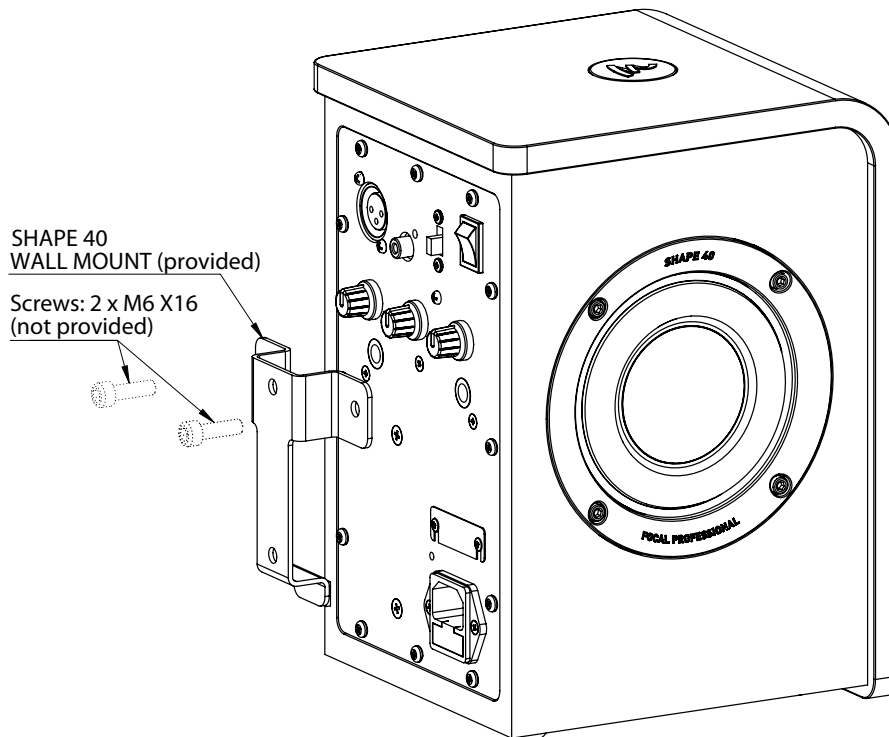
System		SHAPE 40
Frequency response (±3dB)		60Hz - 35kHz
Maximum SPL (musical signal)		102dB SPL (peak @ 1m)
Electronic section		
Inputs / Impedance	Type	XLR: balanced 10kΩ
	Connectors	RCA: unbalanced 10kΩ with sensitivity compensation
Midrange and low frequency amplifier		25W, Class AB
High frequency amplifier		25W, Class AB
Automatic standby	Standby on	After approximately 30 minutes with no signal
	Standby off	Signal detection > 3 mV
Electrical supply	Voltages	220-240V (T500mA / 250V fuse) or 100-120V (T1.6A / 250V fuse)
	Connection	IEC plug and detachable power cord
Settings	High pass filter	Adjustable Full range / 80Hz
	Bass (0 - 250Hz)	Adjustable, ±6dB
	Midrange / Bass (160Hz, Q=1)	Adjustable, ±3dB

Settings	High (4.5 - 35kHz)	Adjustable, ±3dB
	Power On / Power Off	On/Off switch on rear panel
Standby consumption		< 0.5W
Displays and controls		LED for power On / Off and standby
Transducers		
Woofer		4" (10cm) Flax Cone
Tweeter		1" (25mm) 'M' profile Aluminum - Magnesium
Cabinet		
Construction		0.5" (12mm) MDF
Finish		Vinyl, real walnut and black painting
Dimensions with four rubber feet (H x W x D)		10.1 x 6.3 x 7.9" (257 x 161 x 200mm)
Weight		11lbs (5kg)

SHAPE 40

Recommended mounting kits

SHAPE 40	
Wall mount	K&M® Fixing kit 24471
Ceiling mount	K&M® Fixing kit 24496
Table stand / Microphone stand	K&M® Fixing kit 232



Screw: BSW 0³/₈"

