

# IS T3Y 100

## Technical Sheet

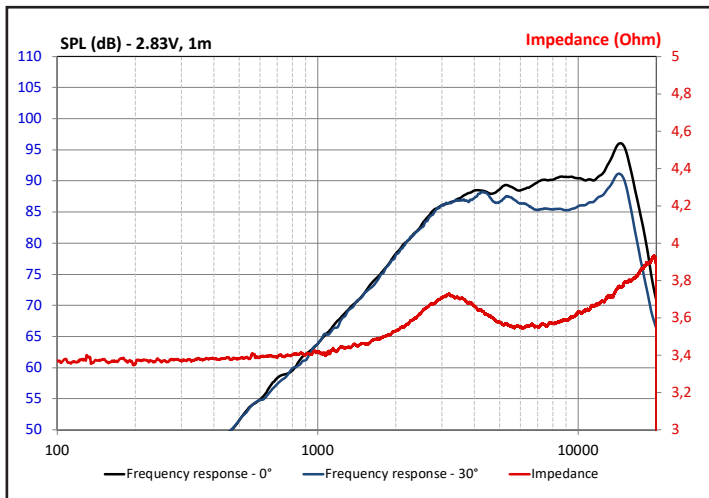
### Tweeter



### SPECIFICATIONS

Nominal power	15W
Maximum power	100W
Sensitivity	91dB
Nom. impedance	4Ω
Cone	Alu
DC resistance	3.4Ω
VC diameter	20mm 0.8"
Former	Kapton
Layers	2
Wire	Alu
Net weight	40g 0.08lbs

### FREQUENCY RESPONSE/IMPEDANCE

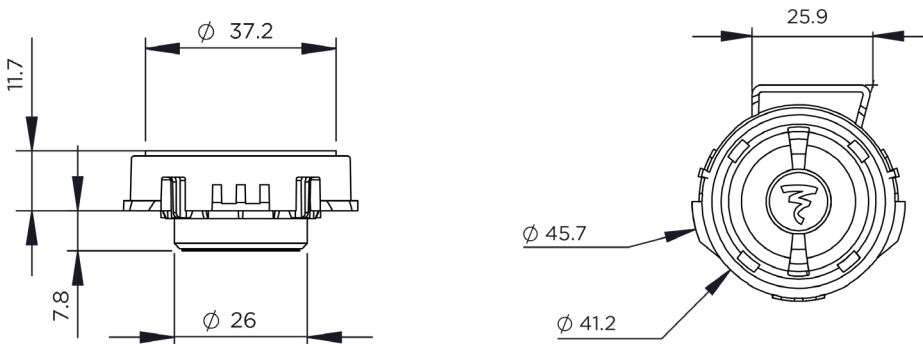


### PARAMETERS

Rdc	3.5Ω
Fs	3.200Hz
SPL	88dB

### MECHANICAL DRAWING

Dimensions in mm



**FOCAL® INSIDE**

Focal® is a trademark of Focal-JMLab® - [www.focal.com](http://www.focal.com) - SCLC - 10/05/2023 - v1