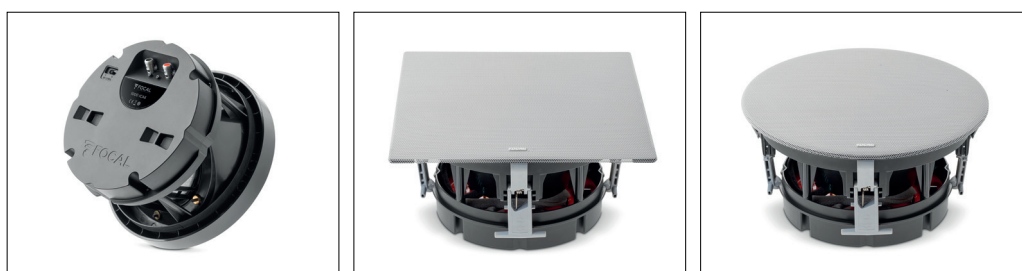
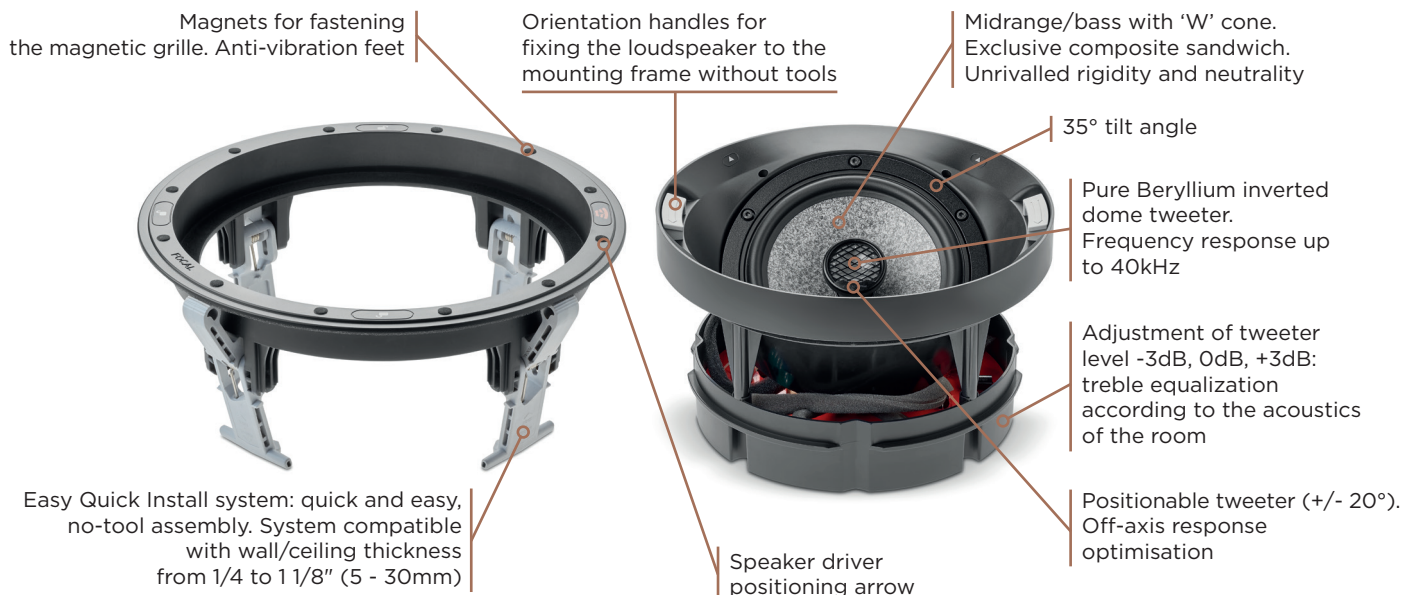


1000 ICA6

Product sheet

MADE IN
FRANCE

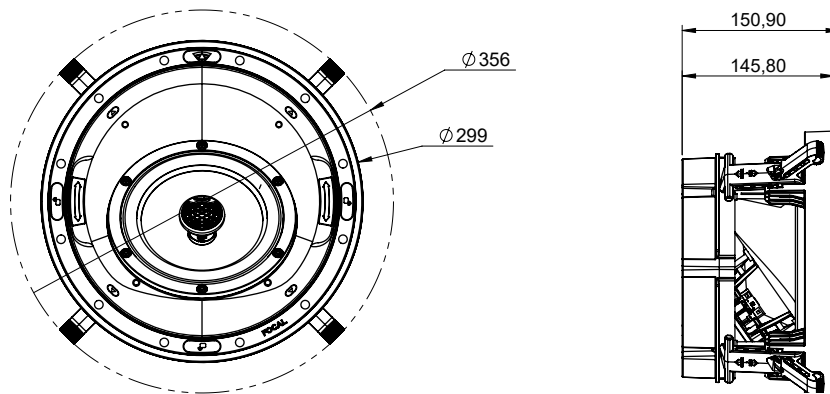


Key points

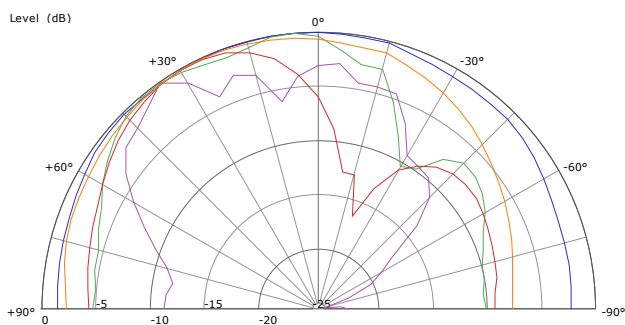
- In-ceiling coaxial 2-way loudspeaker
- Quick, easy, no-tool product assembly
- Speaker drivers developed and manufactured in France by Focal
- Delivered with square and circular grilles ready for painting
- Black and white felt ready to stick
- Off-axis response control (tweeter position and gain adjustment)
- Speaker driver angled at 35°

Type of speaker	2-way coaxial in-ceiling
Speaker drivers	6 1/2" (16.5cm) 'W' Midrange/Bass 1" (25mm) Pure Beryllium inverted dome tweeter
Sensitivity (2.83V/3 feet - 1m)	90.5dB
Bandwidth (+/-3dB)	55Hz - 40kHz
Low-frequency cut-off (-6dB)	45Hz
Nominal impedance	8 Ω
Minimal impedance	5.1 Ω
Recommended amp power	25 - 150W
Size (Ø x depth)	11 3/4 x 5" (299x127mm)
Mounting diameter (Ø)	10 3/8" (264mm)
Mounting depth	5 3/4" (146mm)
Net weight (with grille)	6.61lbs (3kg)
Box size (length x depth x height)	14 3/4 x 14 3/4 x 13 3/8" (375x375x340mm)
Total weight (with packaging)	11.68lbs (5.3kg)
Recommended settings for DSP-amplifiers:	
Recommended Limiter Threshold	6,1V RMS
Recommended Limiter Attack Time	0ms
Recommended Limiter Release Time	150ms
Recommended High-pass filter	35Hz Linkwitz-Riley 12 dB/octave

Dimensions

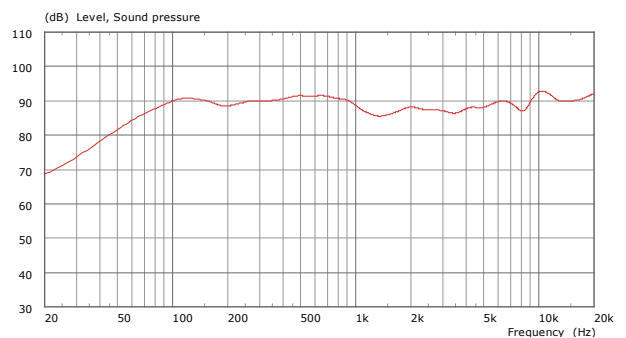


Directionality measurements



- Curve at: 500 Hz
- Curve at: 1 kHz
- Curve at: 2 kHz
- Curve at: 4 kHz
- Curve at: 8 kHz

Frequency response



1000 ICA6 Levels calculation table

Power/Distance	1m	2m	5m
1W (2.83V)	90.5dB	85dB	77db
20W (12.6V)	104dB	98dB	90db
50W (20V)	108dB	102dB	94db
100W (28.3V)	111dB	105dB	97db

Summary	125Hz	250Hz	500Hz	1kHz	2kHz	4kHz	8kHz
NPA (2.83V/1m)(dB)	91	90	92	89	88	88	88
Aperture angle at -6dB	180°	180°	180°	-60°/+180°	-0°/+180°	-20°/+180°	-20°/+60°